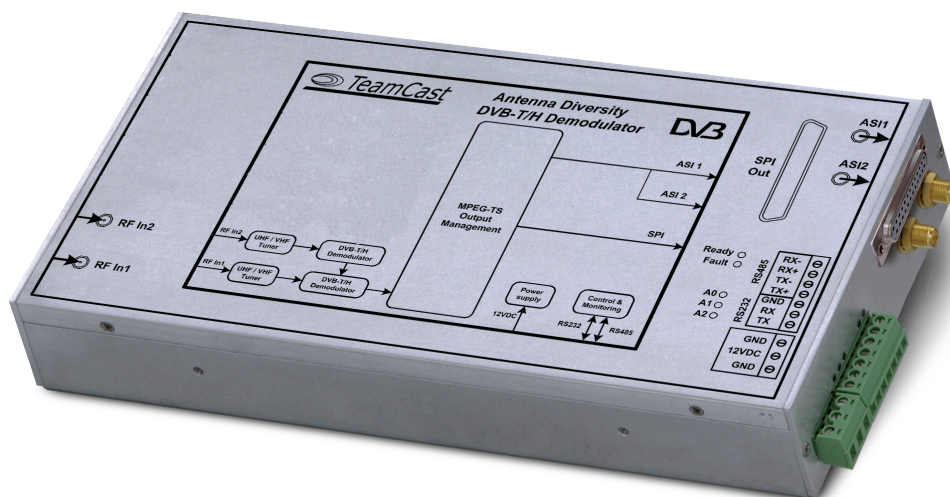


# RXH0-xx20

## 2-Way DVB-T Diversity Demodulator

The high performance OEM demodulator dedicated to Video Links applications, with the advantages of a:

- High Performance for mobile reception
- Cost effective solution
- Fast time to market
- Compact size



### Key features :

- 2-way antenna diversity demodulator
- All DVB-T modes supported
- 5,6, 7 and 8 MHz channels over wide RF band
- Monitoring features (MER, BER, RF level, C:N+1, etc)
- MRC (Maximum Ratio Combining) algorithm
- IP Stream output
- Compact size for easy OEM integration
- Single 12V power supply

### Description

The RXH0-xx20 is a cost effective diversity 2 DVB-T professional demodulator, addressing Video Links market. It has been especially designed to operate in harsh environment with multipath echoes, noisy channels and Doppler effects. RXH0-xx20 can be easily integrated into a two antenna receiving station to ensure reception in mobile conditions (even with high speed).

Furthermore, RXH0-xx20 can be provided with IP output. Thus requirements for streaming real-time dataflow can be easily met. This versatile receivers can be interfaced with any network standard (Ethernet, 3G, WLAN ...) and replace the need for expensive, proprietary solutions.

### High performance & Reliability

Based on powerful DiBcom chips, RXH0-xx20 includes all the state-of-the-art technological features for DVB-T demodulation, providing high input sensitivity and robustness against noise and Doppler effect. The MRC (Maximum Ratio Combining) algorithm ensures service continuity thanks to a decision mechanism that computes each of the COFDM carriers.

### Fastest Time to market

As with all TeamCast modules, the RXH0-xx20 product consists of a compact and powerful unit, especially designed and developed for fast integration. Designers can elect to manage the TeamCast module by using the open and easy to use serial protocol, or to develop their own GUI as required.

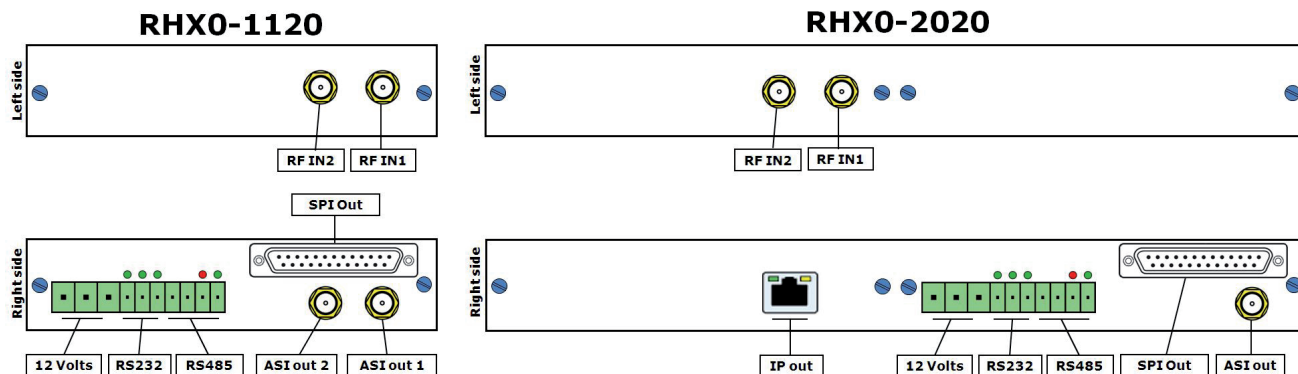
### Compact size

RXH0-xx20 integrates a two channels receiving process that supports all DVB-T modes with several channel bandwidths. The RXH0-xx20 small sizes ease its integration monitoring system or solutions for Video Links.

# RXH0-xx20

## 2-Way Diversity Demodulator

### Connectors



### Specifications<sup>1</sup>

#### ■ Standards

- o DVB-T EN 300 744, TS 101 191
- o DVB-ASI EN 50083-9, ETSI TR 101 891
- o MPEG-TS ISO/IEC 13818-1
- o IP Pro-MPEG COP # 3

#### ■ RF Inputs

- o 2 x antenna inputs
- o SMA - 50  $\Omega$  connectors
- o Centre frequency: 50 MHz to 900 MHz
- o 5, 6, 7 and 8 MHz channel bandwidths

#### ■ Demodulation

- o Based on embedded DiBcom chips
- o All DVB-T modes supported
- o 2k, 4k and 8 k carrier
- o Auto-detected transmission mode (based on TPS)
- o Diversity algorithm: Maximum Ratio Combining

#### ■ MPEG-TS Outputs

- o 2 x ASI outputs (1 x for RXH0-2020)
- o 1 x SPI outputs

#### ■ IP Output (RXH0-2020)

- o 10/100/1000 Base-T Ethernet port
- o IPv4 and IPv6
- o RTP and UDP
- o Multicast and Unicast
- o Pro-MPEG FEC coding

#### ■ Monitoring figures

- o Input signal level
- o Signal to noise ratio (C/N + 1)
- o Signal performance (indicative MER)
- o Error rate measurement (BER & Packet error count)

#### ■ Physical

- o Supply voltage: 12 VDC - 18 W maxi
- o ASI and RF: SMA connectors
- o Compact aluminium package with very low thermal resistance:
  - o RXH0-1060: (220 x 110 x 35 mm)
  - o RXH0-2060: (220 x 220 x 35 mm)
- o RS-232 & RS-485 control port with ASCII protocol
- o Operating temperature range: 0 °C to 50 °C

### Ordering Information

xSWM-RXH0- 1120

DIV 2 - DVB-T demodulator - 50 MHz to 900 MHz\* input (ASI/SPI).

xSWM-RXH0- 2020

DIV 2 - DVB-T demodulator - 50 MHz to 900 MHz\* input (ASI/SPI/TsOIP).

<sup>1</sup> Specifications are not contractual and are subject to revision without notice.

\* Others frequency are available on request.